

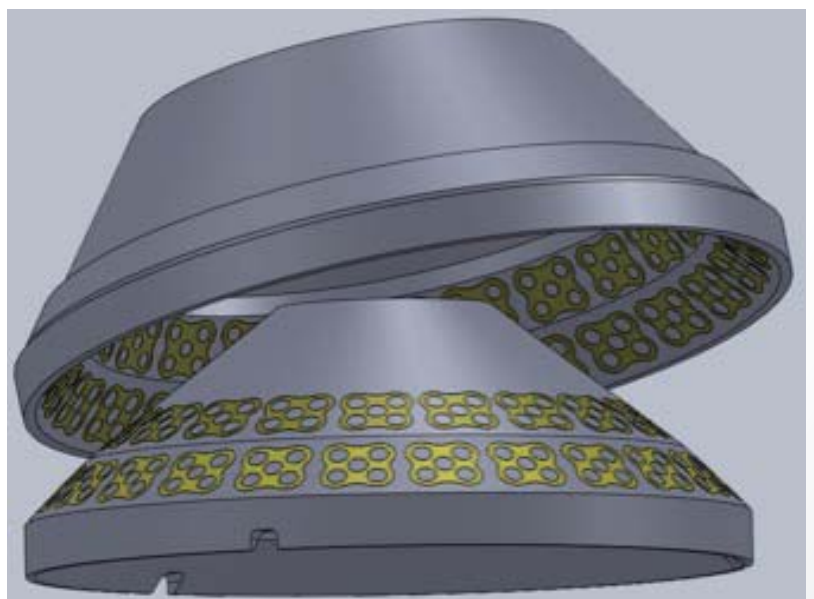
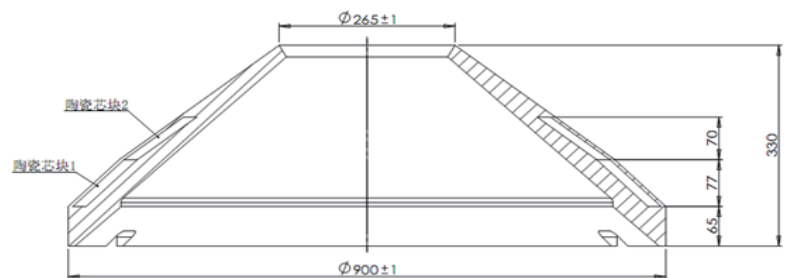
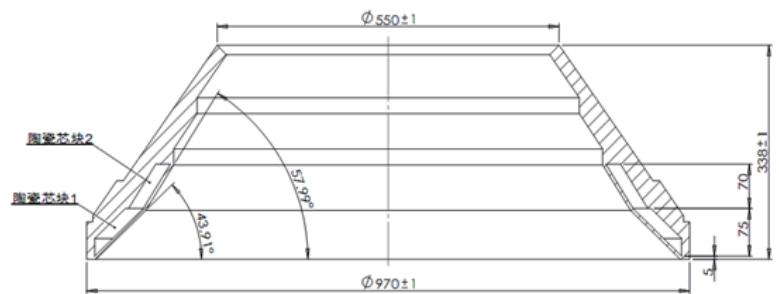


北京金煤创业科技股份有限公司
BeiJing JinMei Entrepreneur Co., Ltd.

DJM陶瓷复合圆锥破碎机备件 扎臼壁/破碎壁

圆锥式破碎机目前广泛使用的扎臼壁/破碎壁多是采用高锰钢制造。在物料强烈冲击载荷作用下，及破碎过程中的挤压，碾磨作用，它们易出现冲击断裂，同时由于物料与它们之间有相对摩擦切削作用，耐磨件的磨损相当严重。

DJM 选用高锰钢为基材的陶瓷复合材料，即扎臼壁/破碎壁的基体采用高锰钢，同时在基体上嵌铸具有高耐磨性的陶瓷随形加强筋，在保持高锰钢原有的加工硬化耐冲击性能的同时提高了高锰钢的耐磨强度，陶瓷复合材料扎臼壁/破碎壁的使用寿命约为高锰钢扎臼壁/破碎壁的2倍以上。



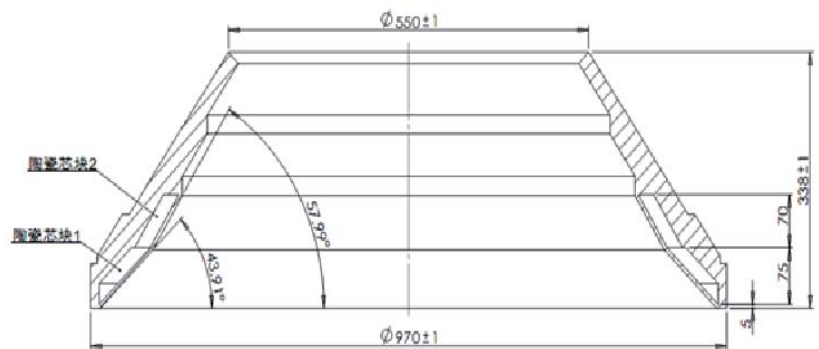


北京金煤创业科技股份有限公司 BeiJing JinMei Entrepreneur Co., Ltd.

DJM Ceramic composite cone crusher spare parts Cone/Mantle

Cone and mantel are mostly made of high Mn steel. They will crack easily under strong impact loads, and the crushing process of extrusion, grinding effect of material. At the same time, the material has a relatively friction between them and the cutting action, so the parts wear out seriously.

DJM adopts composites of high-manganese steel substrate and ceramic, namely, the base material of the cone and mantle is high manganese steel, while the cast ceramic matrix embedded with high wear resistance shaped ribs, increase the wear resistance ability while maintaining the original impact resistance of high manganese steel. The life span of ceramic composite cone and mantle is more than 2 times of the ones made of high Mn steel.



Position 1 & 2: Ceramic composite

