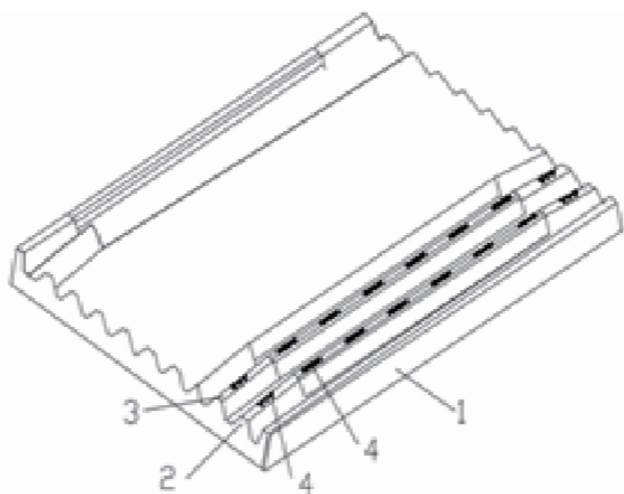




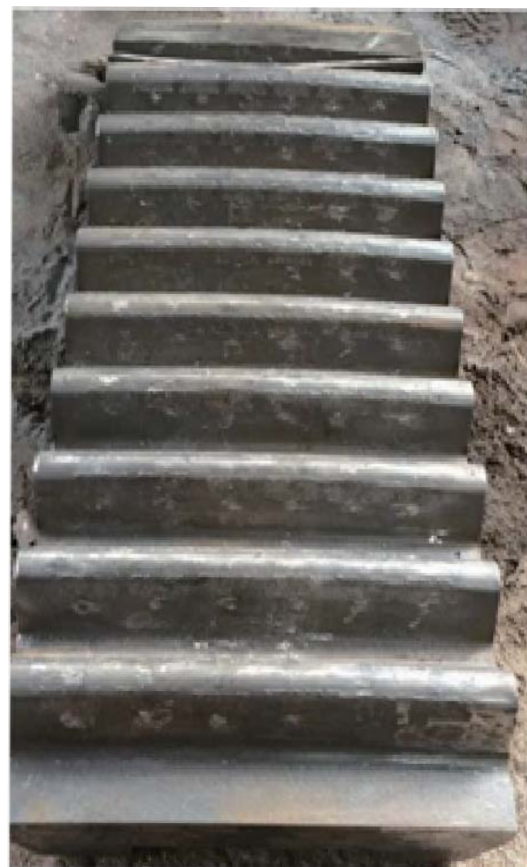
北京金煤创业科技股份有限公司
BeiJing JinMei Entrepreneur Co., Ltd.

DJM陶瓷复合鄂式碎机备件 齿板

颞式破碎机目前广泛使用的齿板多是采用高锰钢制造。由于物料的冲刷，破碎过程中的挤压，碾磨作用，造成齿板磨损严重，针对这一情况，DJM 选用高锰钢为基材的陶瓷复合材料，即齿板的基体采用高锰钢，同时在基体上嵌铸具有高耐磨性的陶瓷随形加强筋，在保持高锰钢原有的加工硬化耐冲击性能的同时提高了高锰钢的耐磨强度，陶瓷复合材料齿板的寿命约为高锰钢齿板的2倍以上。



1. 高锰钢齿板
4. 陶瓷部分

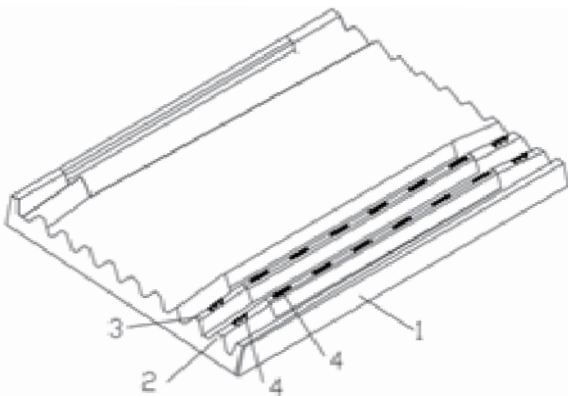




北京金煤创业科技股份有限公司
BeiJing JinMei Entrepreneur Co., Ltd.

DJM Ceramic composite jaw crusher spare parts Jaw plate

Jaw crusher is widely used high manganese steel manufacturing . Due to the material erosion, the extrusion process broken, grinding effect, cause plate wear serious, in order to solve this situation, DJM chooses high manganese steel as base material of the ceramic composite materials, which is plate basement with high manganese steel and then embed the high wear resistance With stiffener into the basement. below keeping original work hardening of high manganese steel impact resistance performance and improving wear resistance strength at the same time, the life of the ceramic composite plate is about 2 times longer than the high manganese steel basement plate.



Position-1 High MnSteel
Position-4 ceramic composite